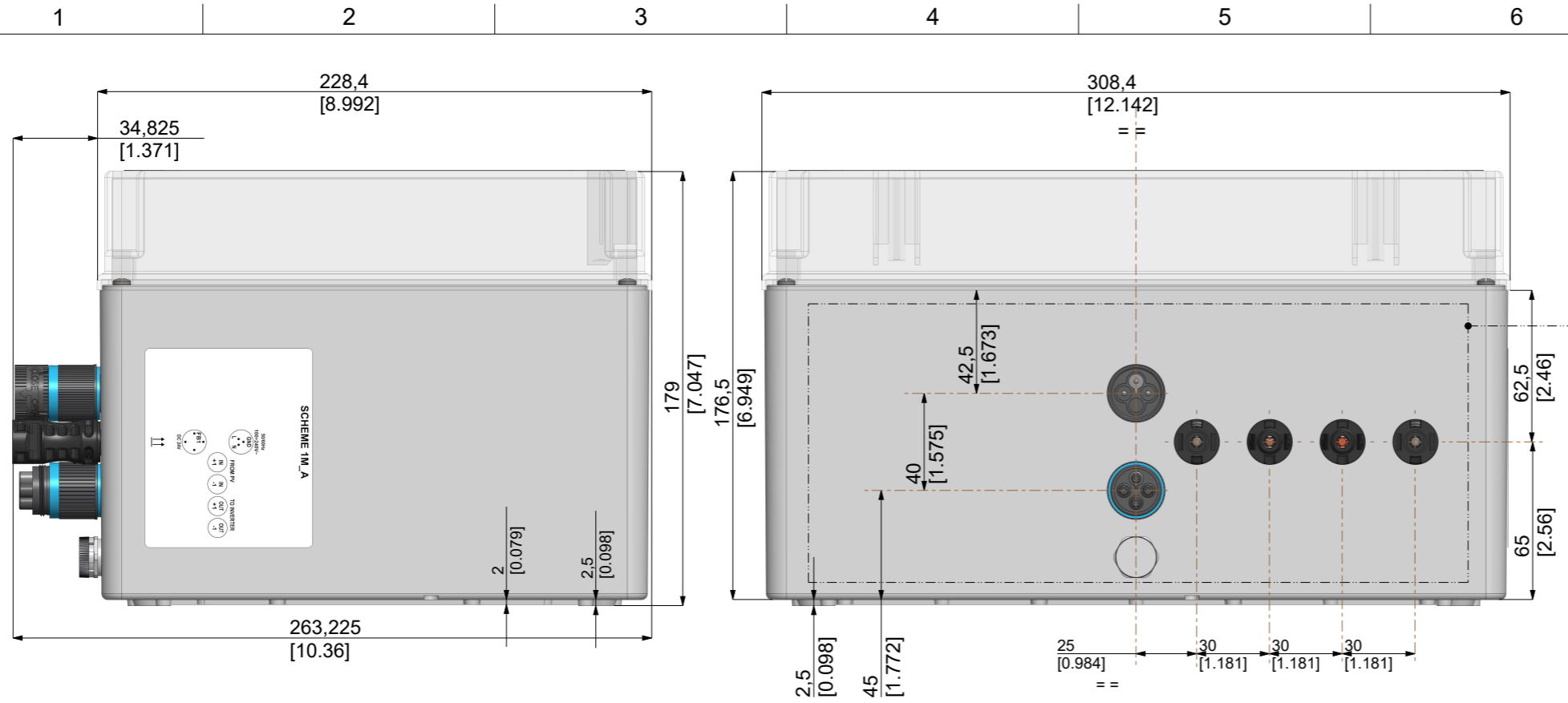
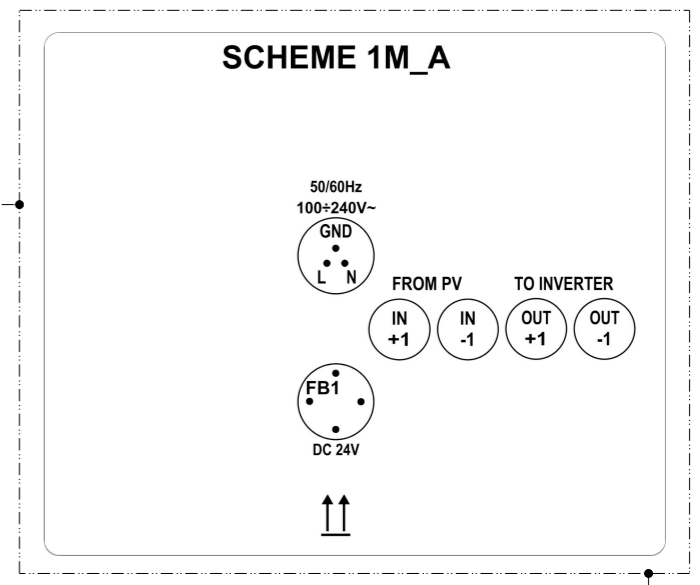


QUESTO DISEGNO NON PUO' ESSERE RIPRODOTTO NE MOSTRATO A TERZE PERSONE ART. 115-33 C.C.-293 C.P.

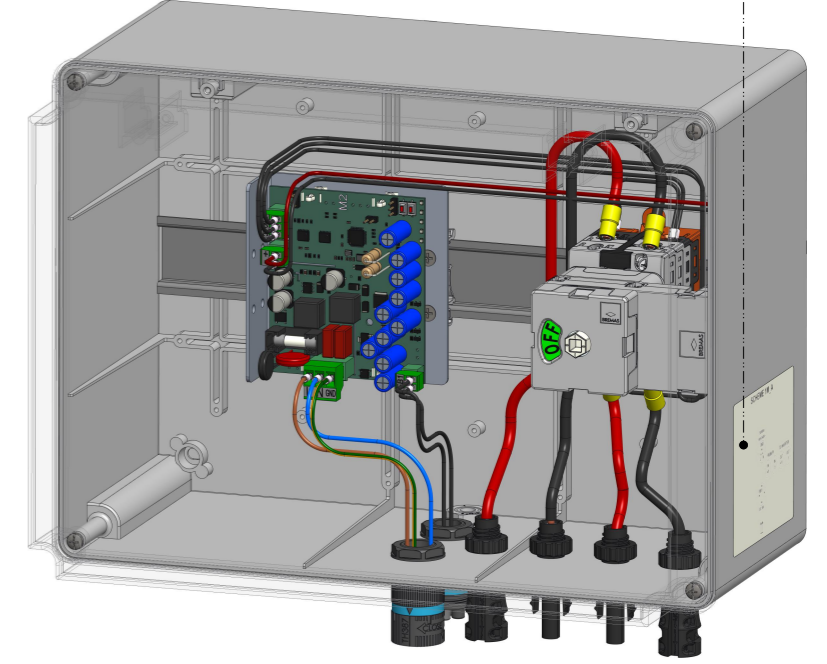
PROHIBITION OF DISTRIBUTION AND COPY. ART. 115-33 C.C.-293 C.P.



ELECTRICAL CONNECTION INDICATIONS LABEL



INTERNAL VIEW



Dimension in mm in [inch] Dimensioni in mm in [pollici]

| | | | | | | | |
|--|---------------------|----------------------|--------------------------|-------------|---------------------|-------------------------------------|------------|
| EDIZ./REL. | MODIFICA / REVISION | | | | | DATA/DATE | SIGLA/SIGN |
| MATERIALE / MATERIAL: -- | | | FINITURA / FINISHING: -- | | | | |
| | | Dis/Dnw F. Civettini | Impiego Use | Scala Scale | Toll. Gen. Tol. | Sost. il/Rep. the | |
| | | Contr/Ckd | FB | 2:5 | Lineare/Linear Js12 | Sost. dal/Rep. of | |
| | | Data/Date: Oct-21-24 | | | Angoli/Angles: 30° | Direttorio/Directory | |
| OGGETTO/OBJECT: Switch box - 1 switches - 1 motors - 2 MPPT - internal DSC | | | | | | DISEGNO / DRAWING FB150301MUA2MC | |
| | | | | | | EDIZ./REL 1 | |

QUESTO DISEGNO NON PUO' ESSERE RIPRODOTTO NE MOSTRATO A TERZE PERSONE ART. 115-33 C.C.-293 C.P.

PROHIBITION OF DISTRIBUTION AND COPY. ART. 115-33 C.C.-293 C.P.

1 2 3 4 5 6 7 8

A

B

C

D

E

F

A

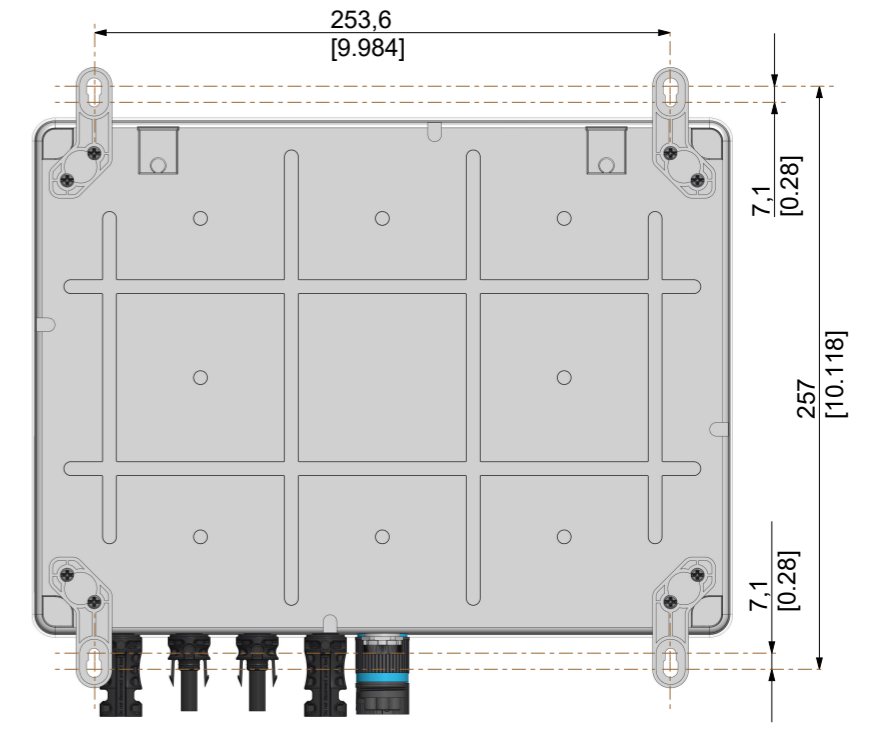
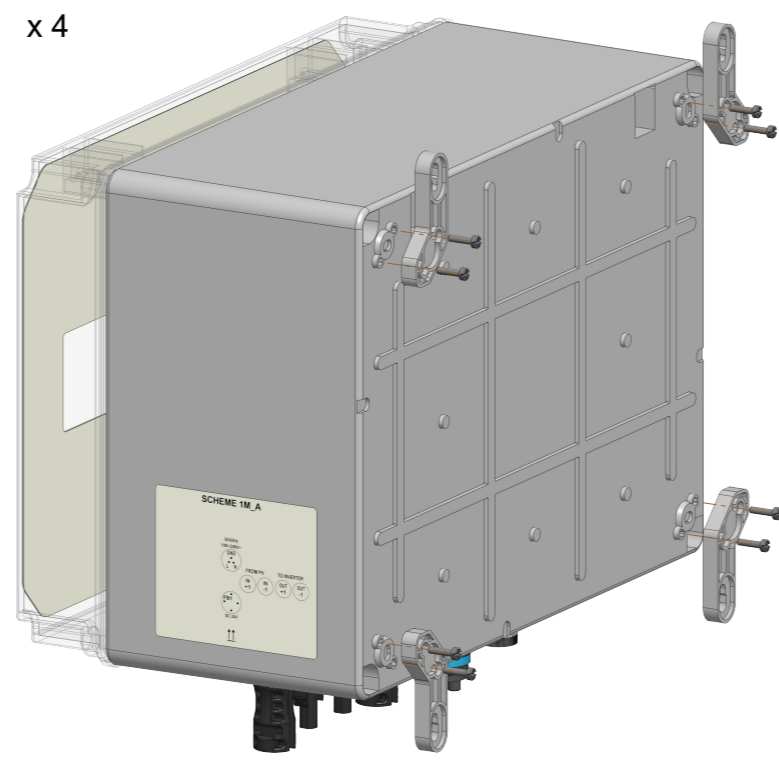
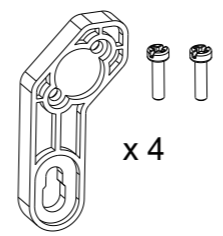
B

C

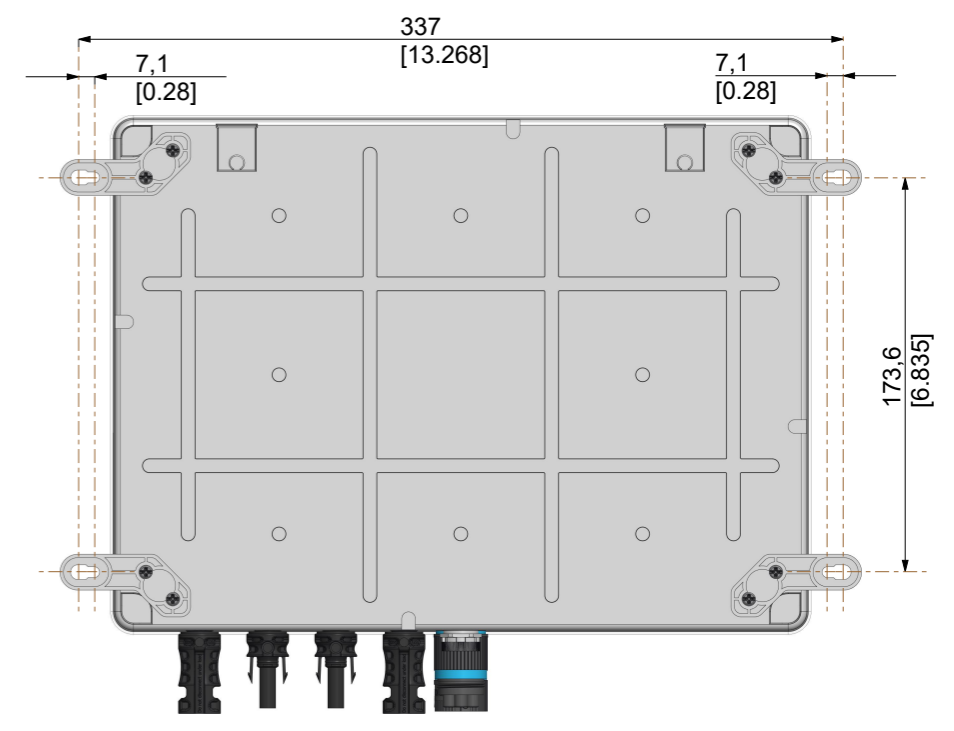
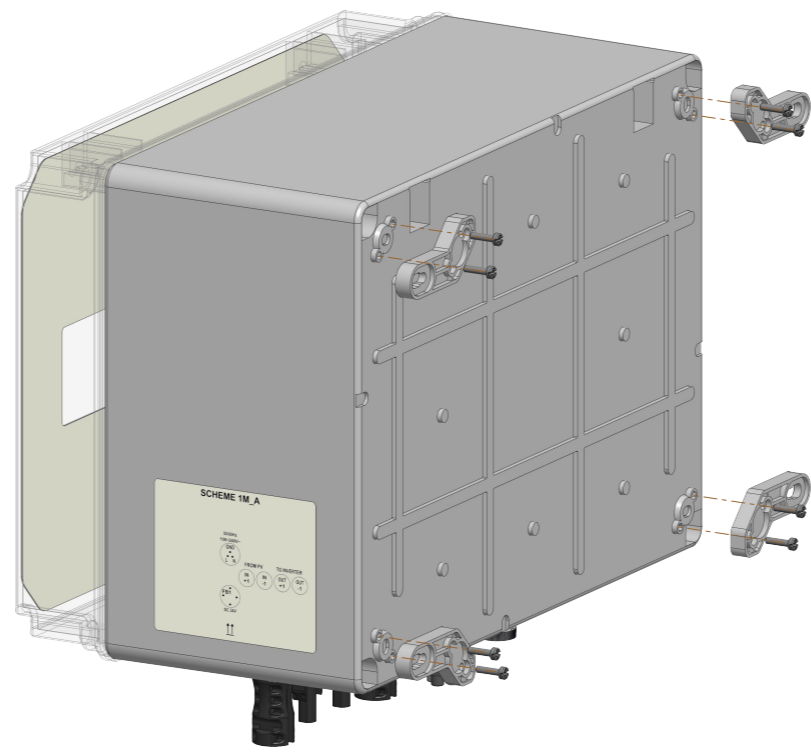
D

E

F



WALL FIXING HOLES FOR VERTICAL BRACKETS



WALL FIXING HOLES FOR HORIZONTAL BRACKETS

Dimension in mm in [inch] Dimensioni in mm in [pollici]

| | | | | | | | |
|--|---------------------|----------------------|--------------------------|-------------|---------------------|--|------------|
| EDIZ/REL. | MODIFICA / REVISION | | | | | DATA/DATE | SIGLA/SIGN |
| MATERIALE / MATERIAL: -- | | | FINITURA / FINISHING: -- | | | | |
| | | Dis/Dnw F.Civettini | Impiego Use | Scala Scale | Toll. Gen. Tol. | Sost./Rep.the | |
| | | Contr/Ckd | FB | 3:10 | Lineare/Linear Js12 | Sost.dal/Rep.of | |
| | | Data/Date: Jan-21-25 | | | Angoli/Angles: 30° | Direttorio/Directory | |
| OGGETTO/OBJECT: Switch box - 1 switches - 1 motors - 2 MPPT - internal DSC | | | | | | DISEGNO / DRAWING FB150301MUA2MC | |
| | | | | | | EDIZ/REL | 1 |

1 2 3 4 5 6 7 8