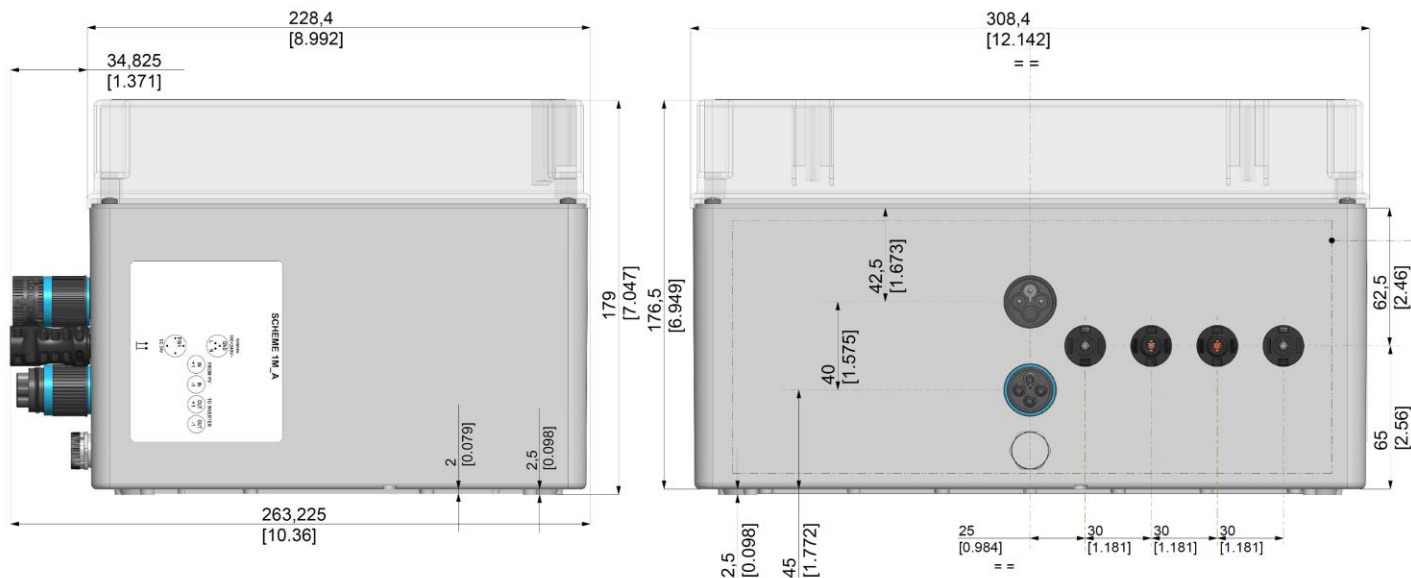
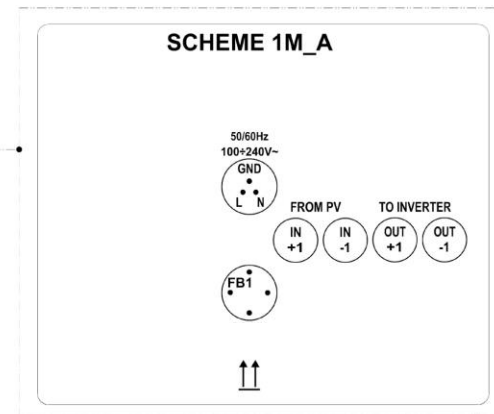


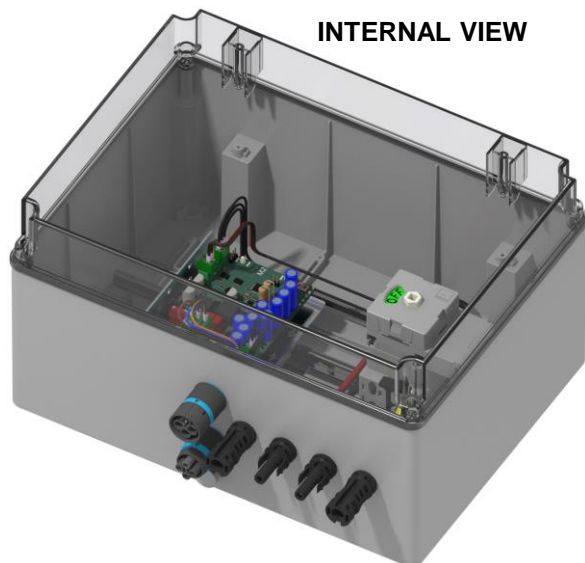
## FB150301MUA2MC



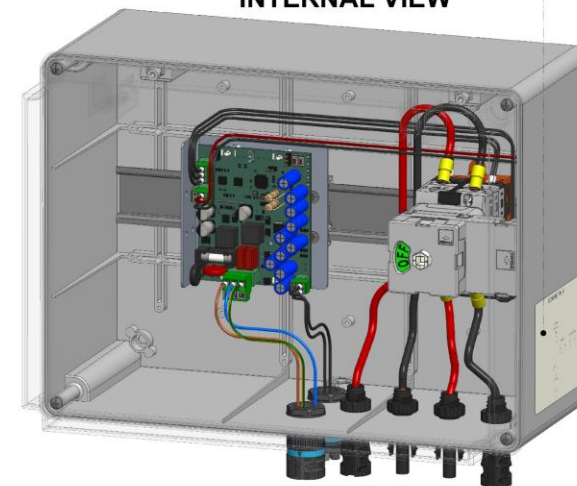
## ELECTRICAL CONNECTION INDICATIONS LABEL



## INTERNAL VIEW



## INTERNAL VIEW



Dimension in mm  
in [inch]

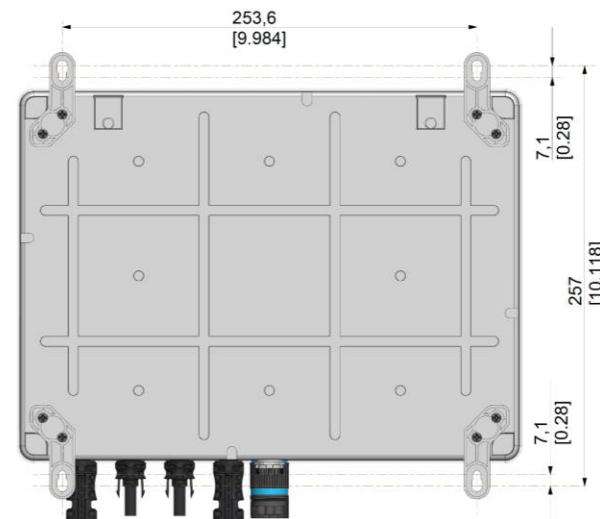
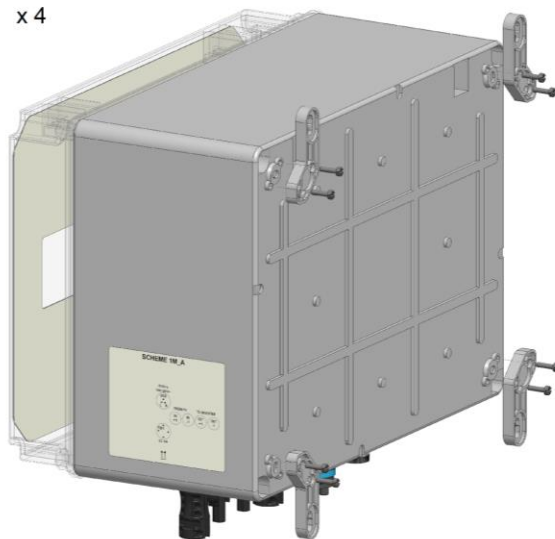
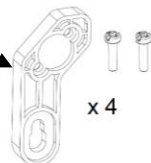
Dimensioni in mm  
in [pollici]



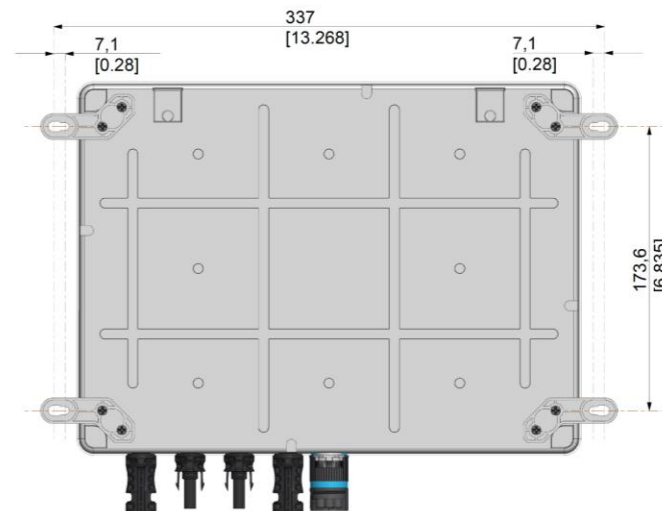
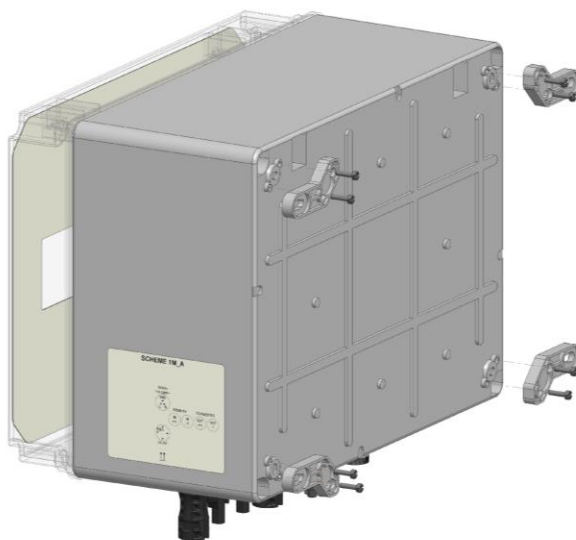
FB150301MUA2MC



## WALL MOUNTING BRACKETS



## WALL FIXING HOLES FOR VERTICAL BRACKETS



## WALL FIXING HOLES FOR HORIZONTAL BRACKETS

Dimension in mm in [inch]      Dimensioni in mm in [pollice]

## FB150301MUA2MC

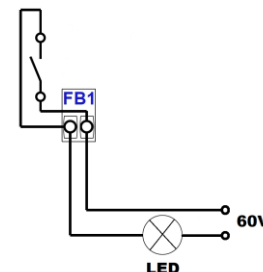
### POWER CONNECTORS(DC)

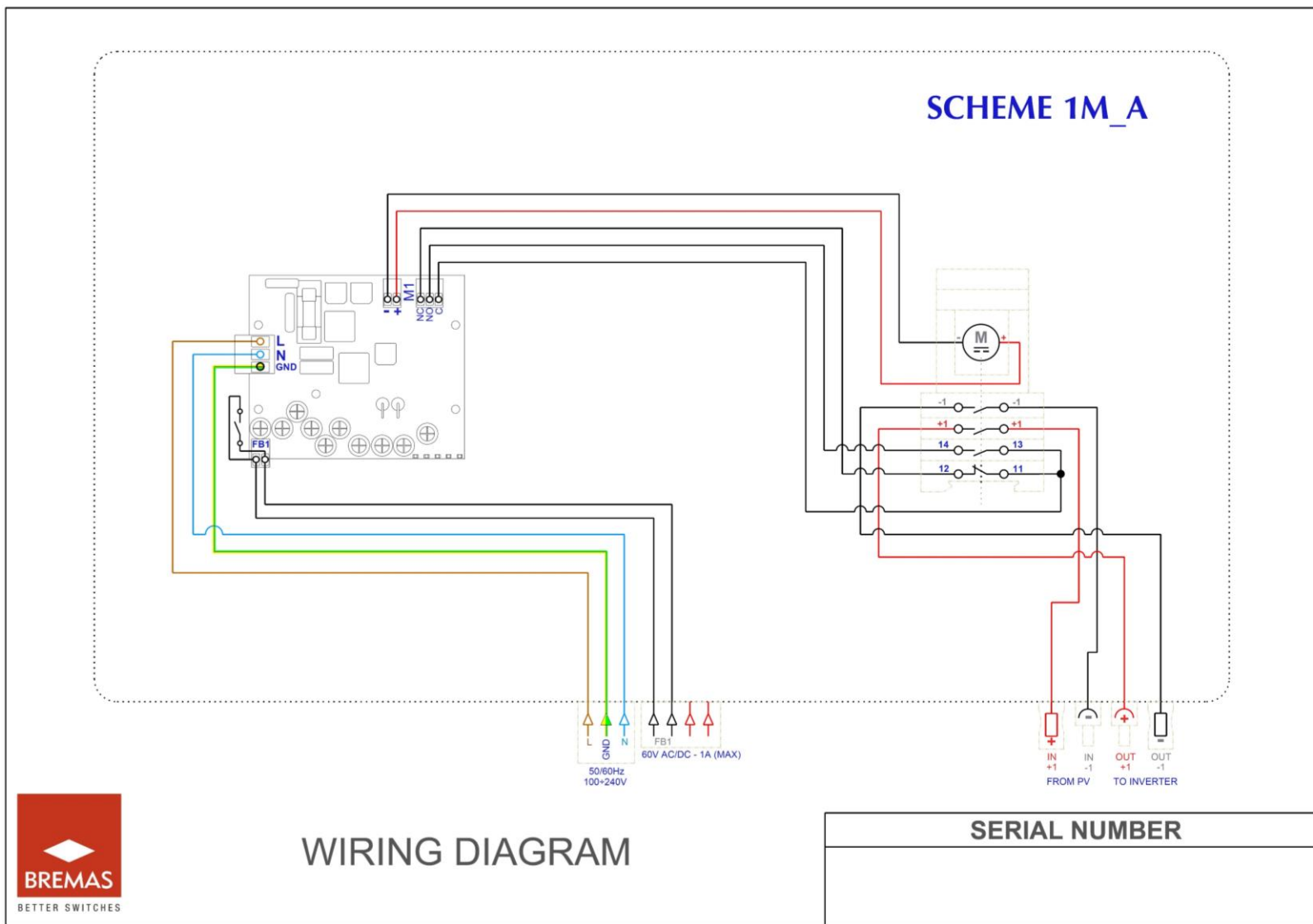
Technical data according to IEC 60947-3				
Rated insulation voltage	Ui	V	1500	
Rated impulse withstand voltage	Uimp	kV	8	
Rated thermal current	Ith	A	50	
DC inputs				
Number of inputs			1	
Utilization category			PV1	PV2
Rated operational current at 1500 V	Ie	A	20	8
Rated operational current at 1300 V	Ie	A	25	10
Rated operational current at 1250 V	Ie	A	30	12
Rated operational current at 1000 V	Ie	A	50	20
Rated operational current at 800 V	Ie	A	-	30
Rated operational current at 700 V	Ie	A	-	40
Short circuit protection				
Rated conditional short-circuit current		kA	5	
Max fuse size for short circuit protection	gPV	A	50	
Rated short-time withstand current (1 s)	Icw	A	780	
Rated short-circuit making capacity	Icm	kA	1,4	
Terminals on the products				
Panel MC4 plug-in connectors STAUBLI EVO2		Female	32.0346P0001	
Panel MC4 plug-in connectors STAUBLI EVO2		Male	32.0347P0001	
Terminals recommended for the installation				
Coupler MC4 plug-in connectors STAUBLI EVO2		Female	32.0318P0001	
Coupler MC4 plug-in connectors STAUBLI EVO2		Male	32.0319P0001	
Protection degree IEC EN 61439-2				
Solution in box			IP56	
Ambient conditions				
Pollution degree			2	
Operational ambient temperature		°C	-30 ÷ +50	
Storage ambient temperature		°C	-30 ÷ +85	
Damp heat test IEC 60068-2-30			90-100% RH at +55 °C	
Protection Temperature				
Temperature for automatic shutdown		°C	+100	

### AUXILIARY CONNECTORS

L-N-GND Connector			
Rated operational voltage	Ui	VAC	500
Working frequency		Hz	50÷60
Rated impulse withstand voltage	Uimp	kV	4
Rated operational current	Ie	A	17,5
<b>Nominal operating voltage</b>	<b>Un</b>	<b>VAC</b>	<b>100÷240</b>
<b>Nominal power dissipation</b>	<b>Max</b>	<b>W</b>	<b>10</b>
<b>Nominal current</b>	<b>In</b>	<b>mA</b>	<b>40 (at 230V)</b>
Degree of protection			IP68
Connection type			M3 screws
Tightening torque	Max	Nm	0,8
Cross-section of flexible/solid wires	Min-Max	mmq	0,5 ... 4
Cable diameter	Min-Max	mm	7... 12
Operational ambient temperature		°C	-40 ÷ +125
FB1 Connector			
Rated operational voltage	Ui	VAC/DC	500
Working frequency		Hz	50÷60
Rated impulse withstand voltage	Uimp	kV	4
Rated operational current	Ie	A	17,5
<b>Nominal operating voltage of contact</b>	<b>Max</b>	<b>VAC/DC</b>	<b>60</b>
<b>Nominal external power of contact</b>	<b>Max</b>	<b>W</b>	<b>60</b>
<b>Nominal current of contact</b>	<b>Max</b>	<b>A</b>	<b>1</b>
Degree of protection			IP68
Connection type			M3 screws
Tightening torque	Max	Nm	0,8
Cross-section of flexible/solid wires	Min-Max	mmq	0,5 ... 4
Cable diameter	Min-Max	mm	7... 12
Operational ambient temperature		°C	-40 ÷ +125

### FB1 EXAMPLE OF CONNETION:



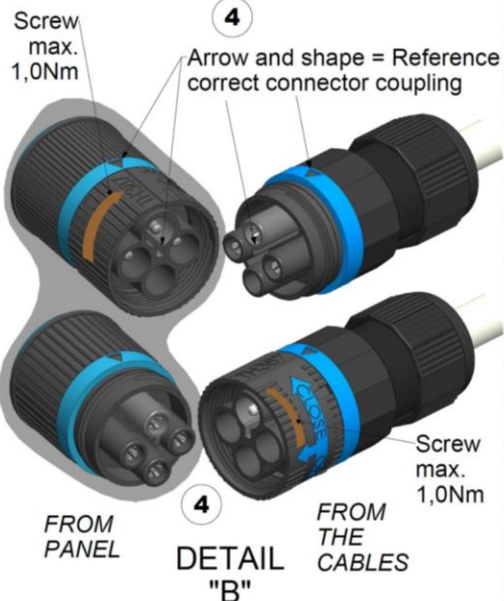
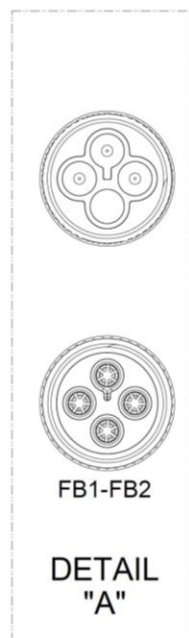
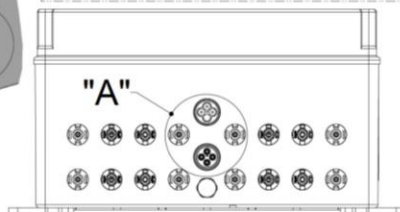


## MINI-PLUG-SOCKET CONNECTOR IP66/IP68

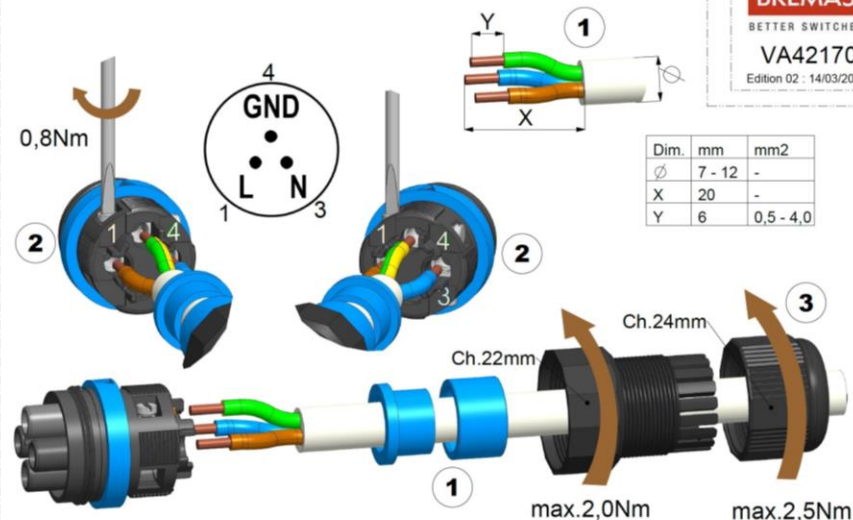
### SOLAR GUARDIAN - Plug and play Bremas Series FB



- 1 Strip the wire and insert components on the cable
- 2 Wiring cables
- 3 Assemble connector
- 4 Pair panel connectors with cable connectors



#### INSTRUCTIONS FOR WIRING POWER CONNECTOR



#### INSTRUCTIONS FOR WIRING FB1 and FB2 SIGNAL CONNECTOR

