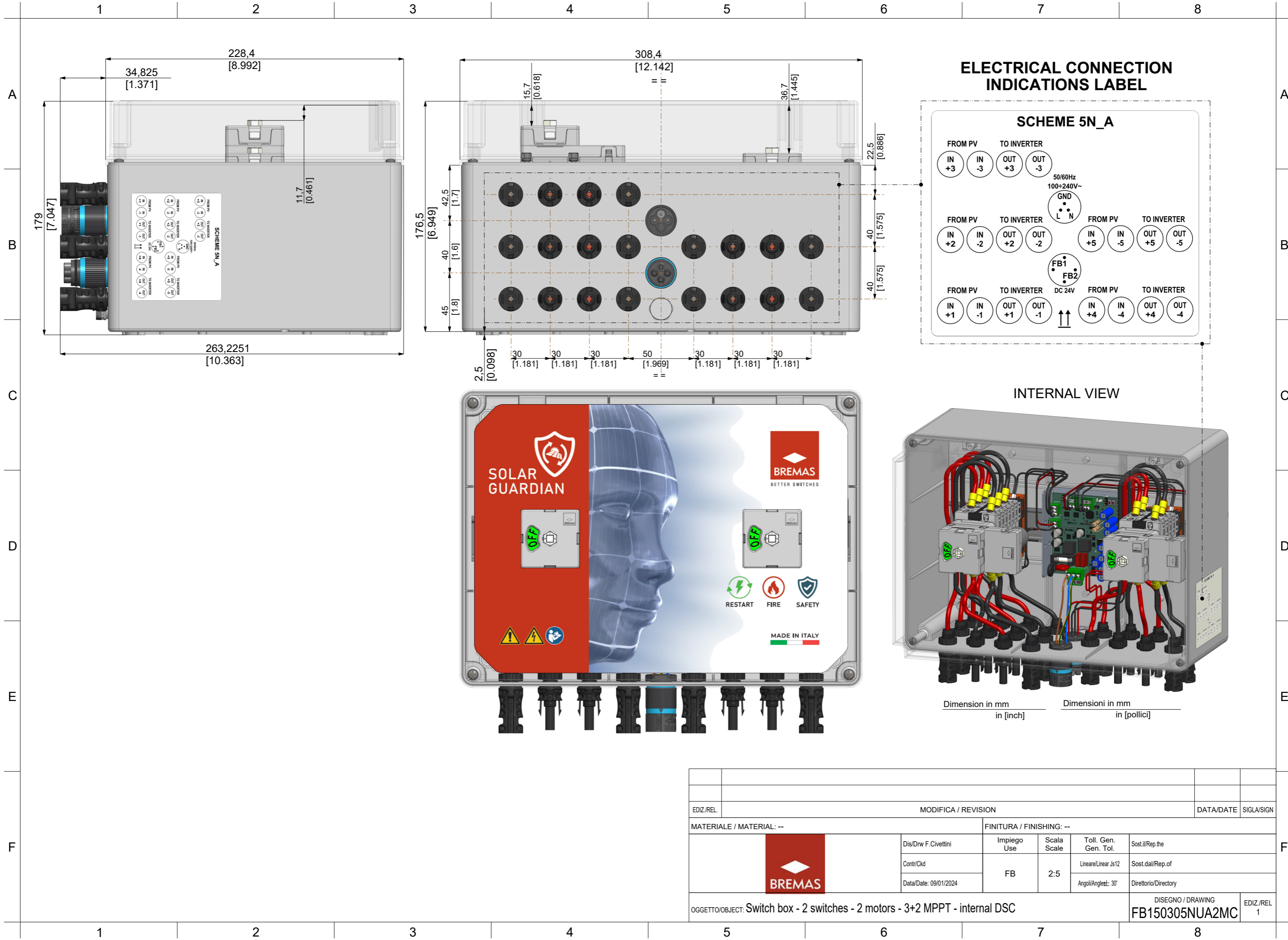
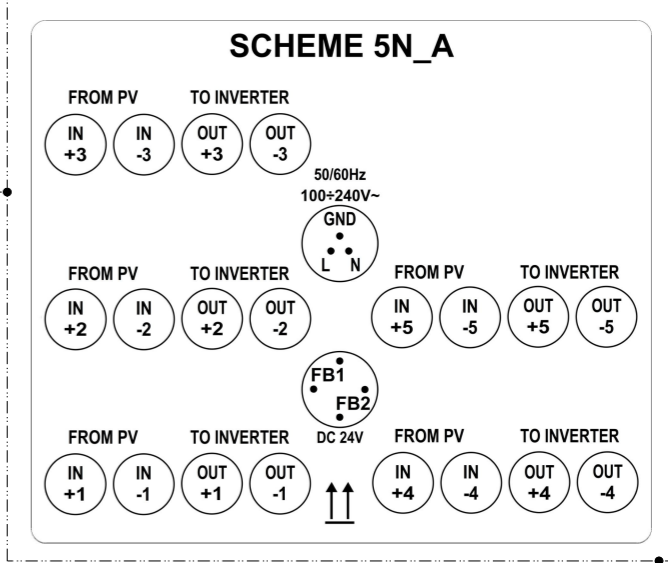


QUESTO DISEGNO NON PUO' ESSERE RIPRODOTTO NE MOSTRATO A TERZE PERSONE ART. 115-33 C.C.-293 C.P.

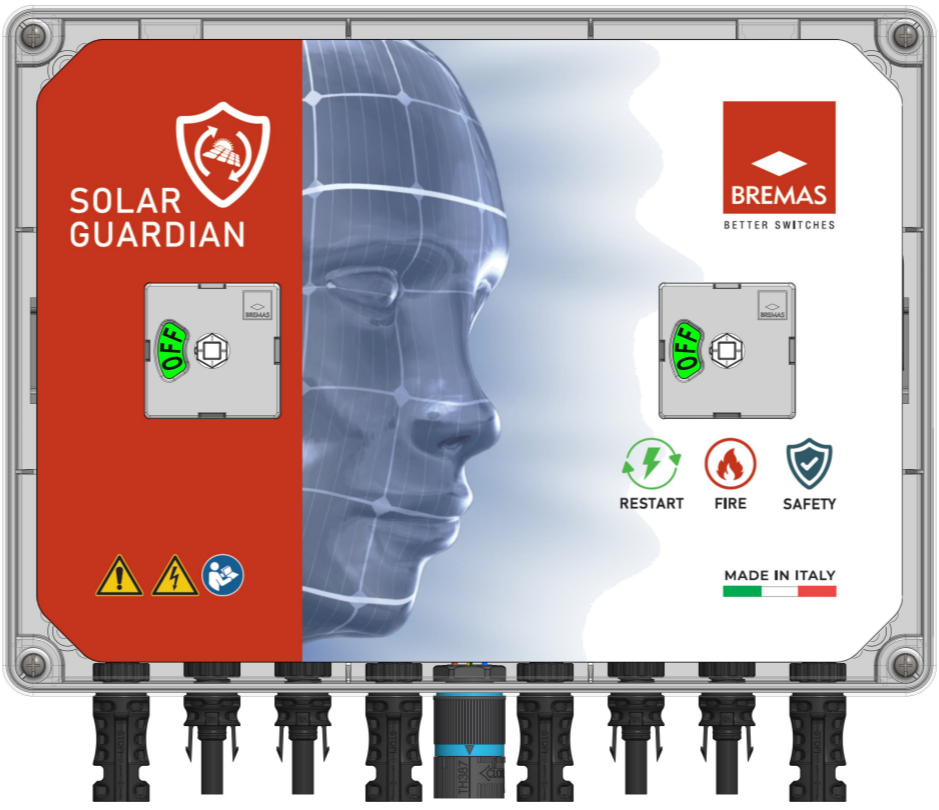
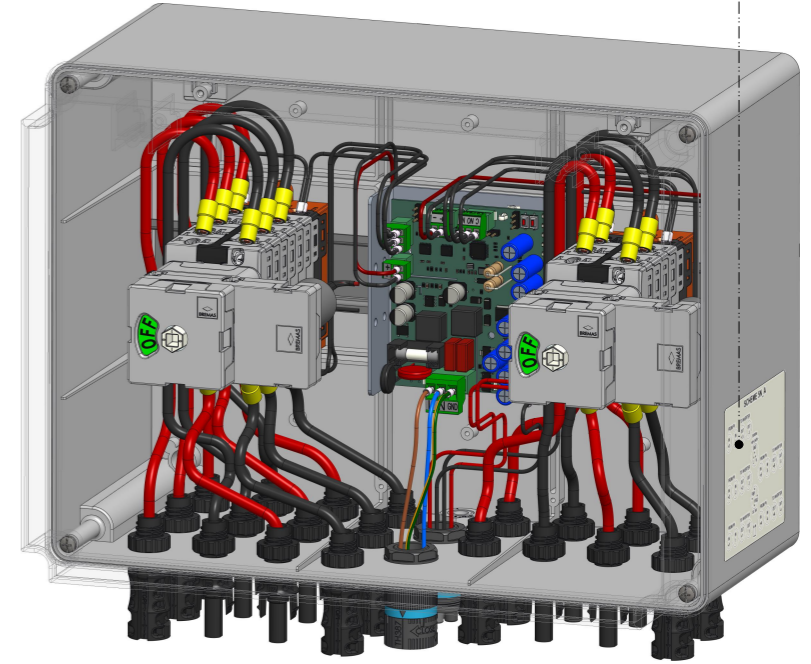
PROHIBITION OF DISTRIBUTION AND COPY. ART. 115-33 C.C.-293 C.P.



**ELECTRICAL CONNECTION INDICATIONS LABEL**



**INTERNAL VIEW**



EDIZ./REL.	MODIFICA / REVISION					DATA/DATE	SIGLA/SIGN
MATERIALE / MATERIAL: --			FINITURA / FINISHING: --				
		Dis/Dnw F.Civettini	Impiego Use	Scala Scale	Toll. Gen. Tol.	Sost./Rep.the	
		Contr/Ckd	FB	2:5	Lineare/Linear Js12	Sost.dal/Rep.of	
		Data/Date: 09/01/2024			Angoli/Angles: 30°	Direttorio/Directory	
OGGETTO/OBJECT: Switch box - 2 switches - 2 motors - 3+2 MPPT - internal DSC						DISEGNO / DRAWING FB150305NUA2MC	
						EDIZ./REL 1	

QUESTO DISEGNO NON PUO' ESSERE  
 RIPRODOTTO NE MOSTRATO A TERZE  
 PERSONE ART. 115-33 C.C.-293 C.P.

PROHIBITION OF DISTRIBUTION AND  
 COPY. ART. 115-33 C.C.-293 C.P.

1 2 3 4 5 6 7 8

A

B

C

D

E

F

A

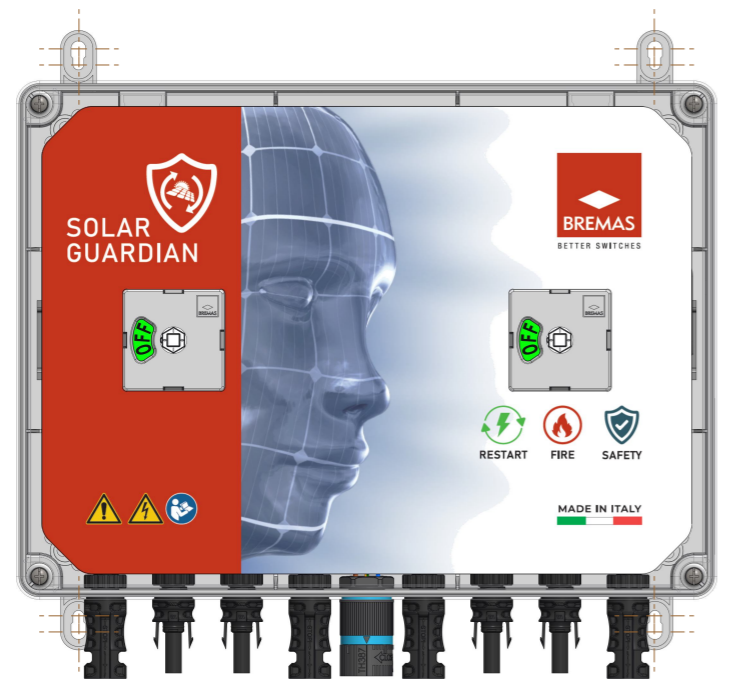
B

C

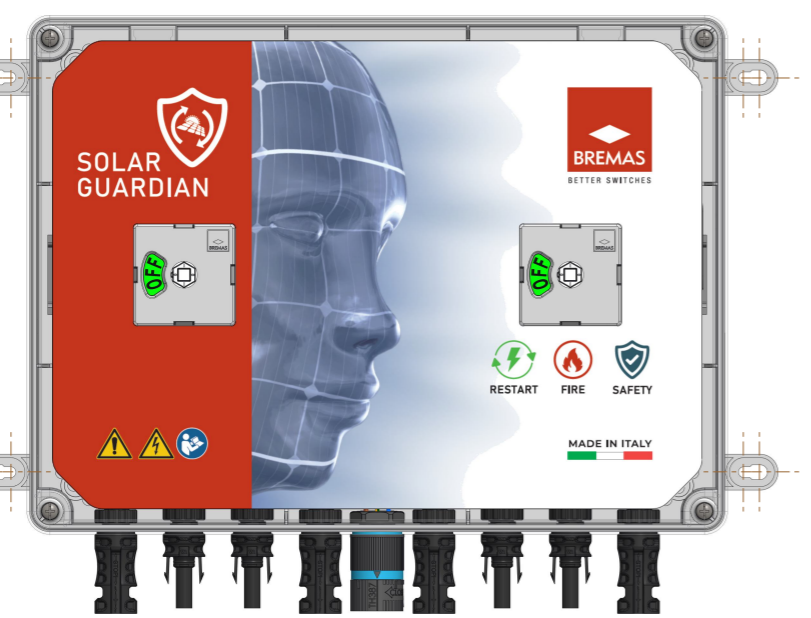
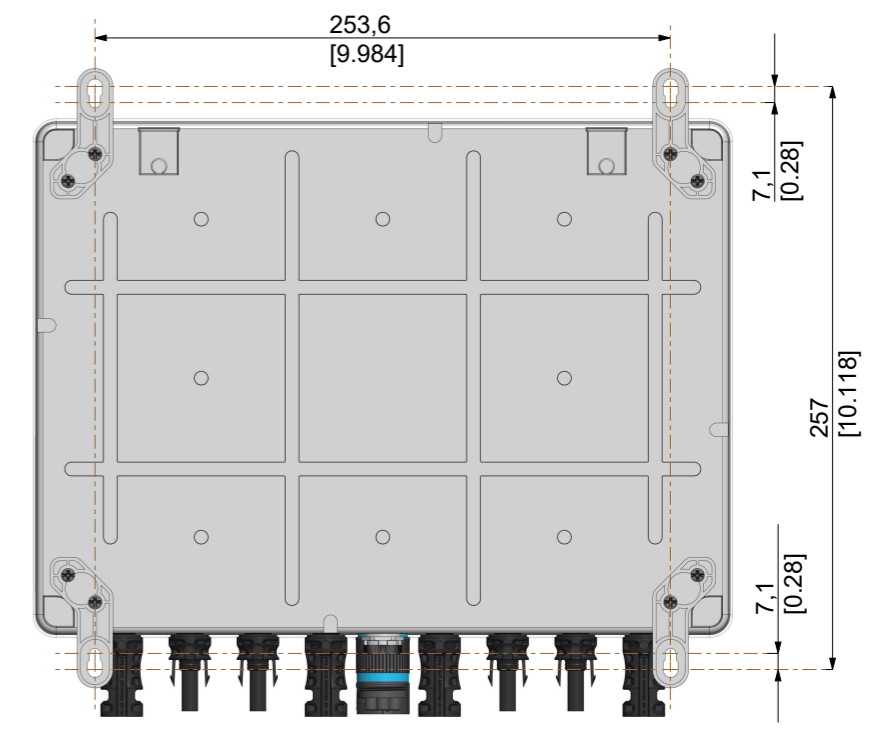
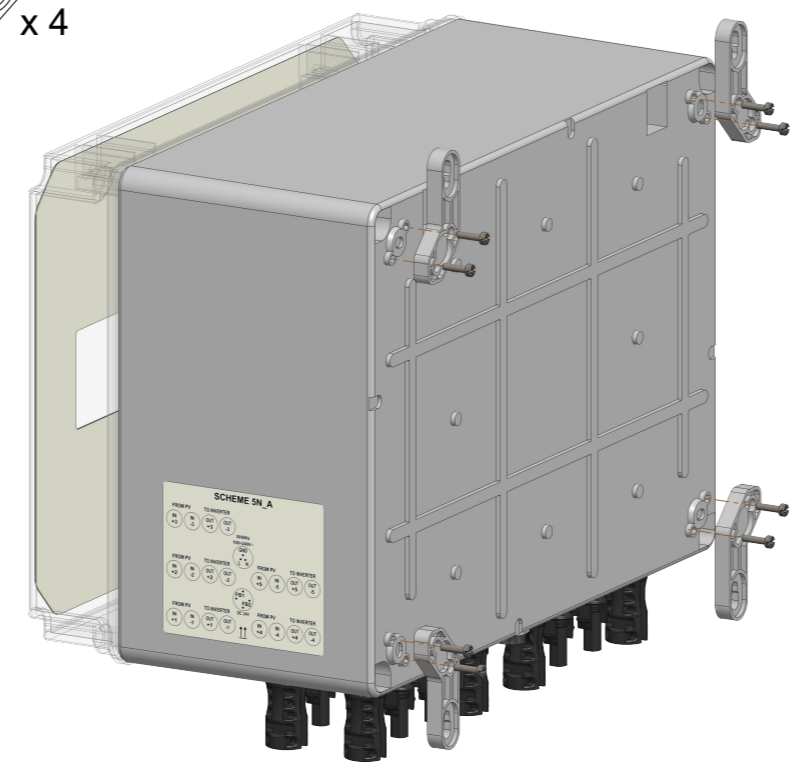
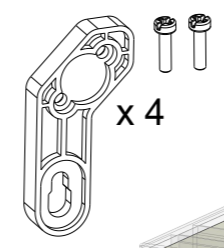
D

E

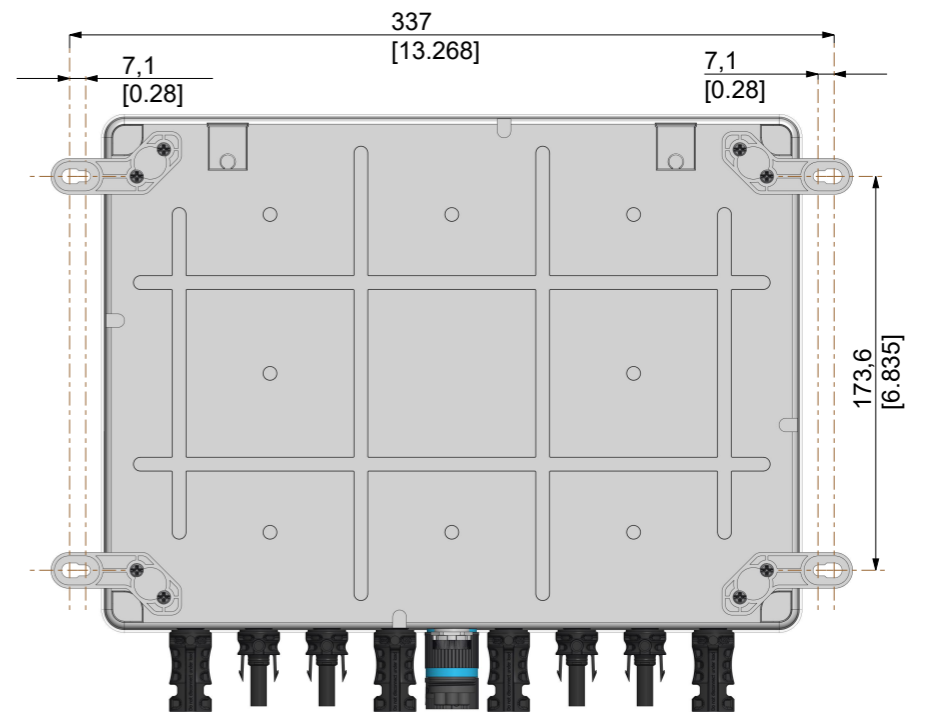
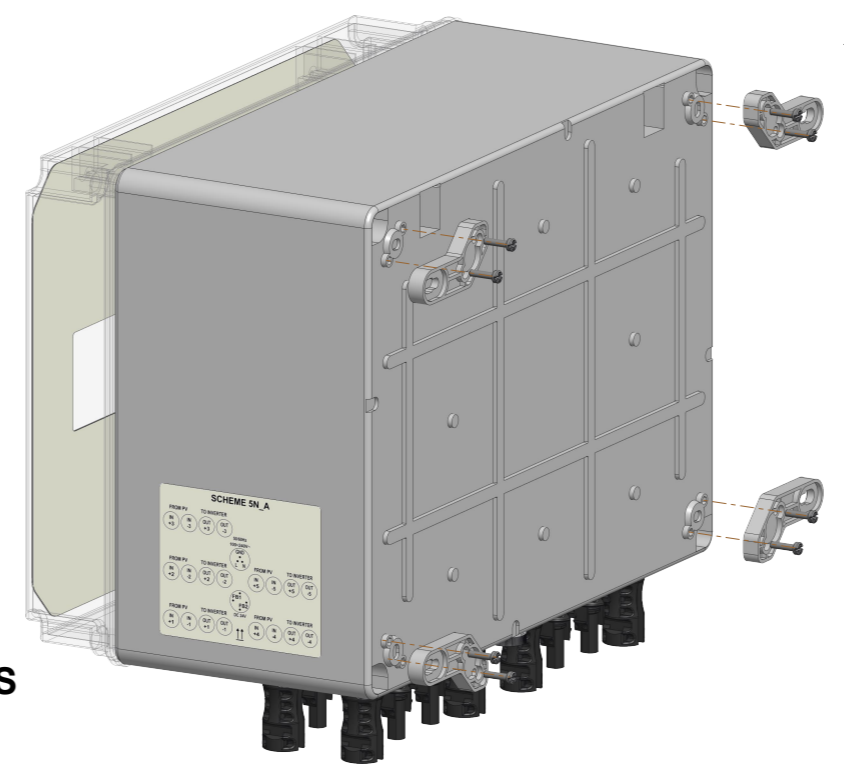
F




**WALL FIXING HOLES FOR VERTICAL BRACKETS**



**WALL FIXING HOLES FOR HORIZONTAL BRACKETS**



Dimension in mm in [inch]      Dimensioni in mm in [pollici]

EDIZ./REL.	MODIFICA / REVISION					DATA/DATE	SIGLA/SIGN
MATERIALE / MATERIAL: --			FINITURA / FINISHING: --				
		Dis/Dnw F.Civettini	Impiego Use	Scala Scale	Toll. Gen. Gen. Tol.	Sost./Rep.the	
		Contr/Ckd	FB	3:10	Lineare/Linear Js12	Sost.dal/Rep.of	
		Data/Date: Jan-22-25			Angoli/Angles: 30°	Direttorio/Directory	
OGGETTO/OBJECT: Switch box - 2 switches - 2 motors - 3+2 MPPT - internal DSC						DISEGNO / DRAWING <b>FB150305NUA2MC</b>	
						EDIZ./REL 1	

1 2 3 4 5 6 7 8