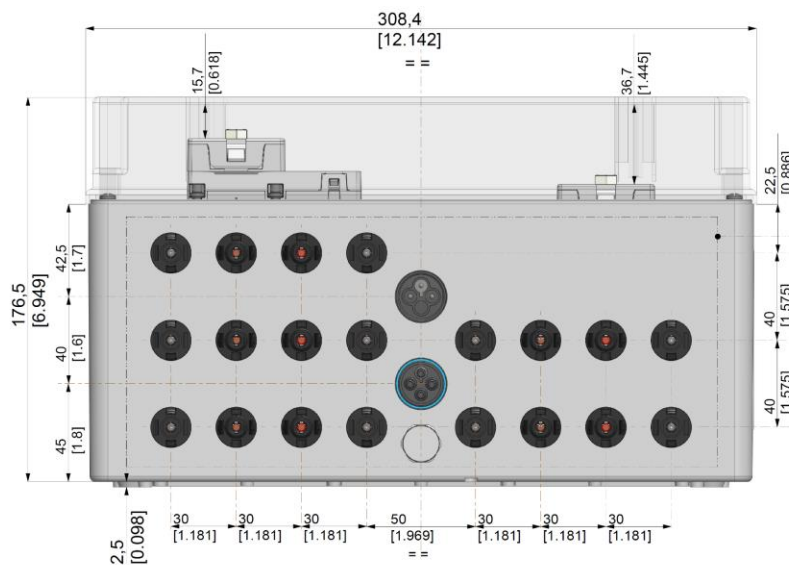
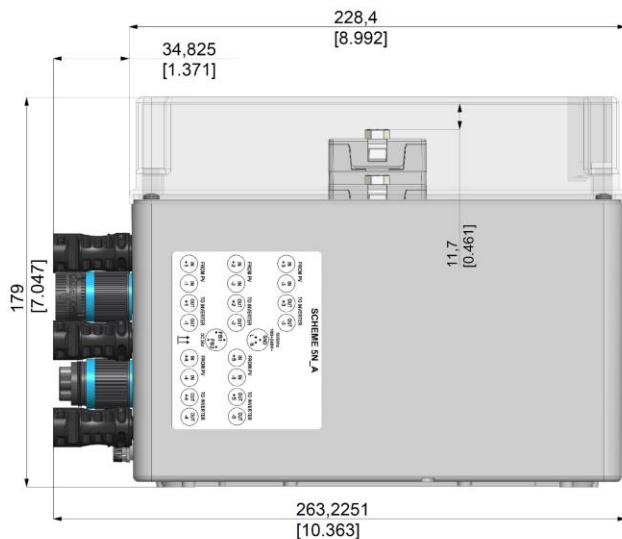
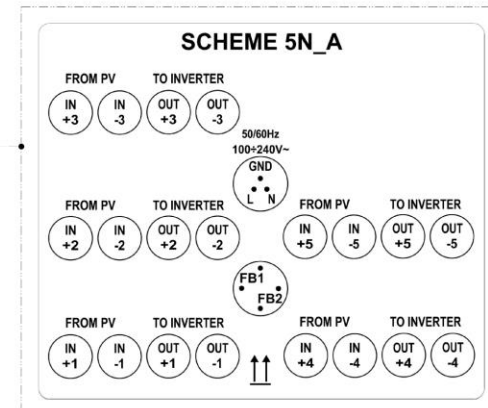


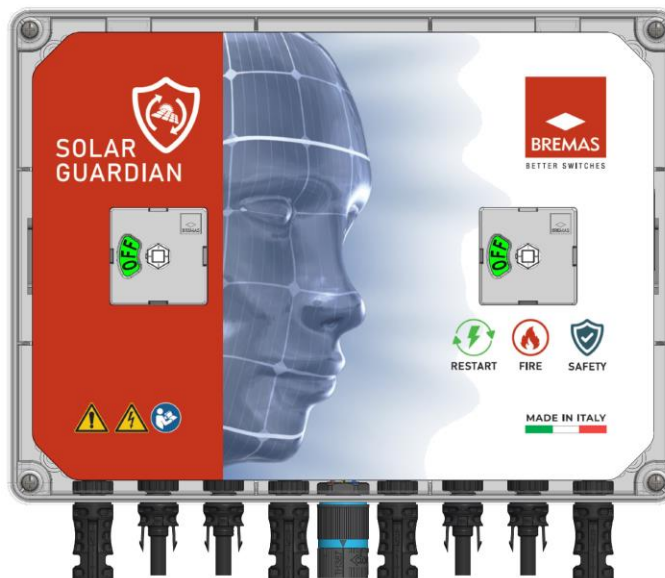
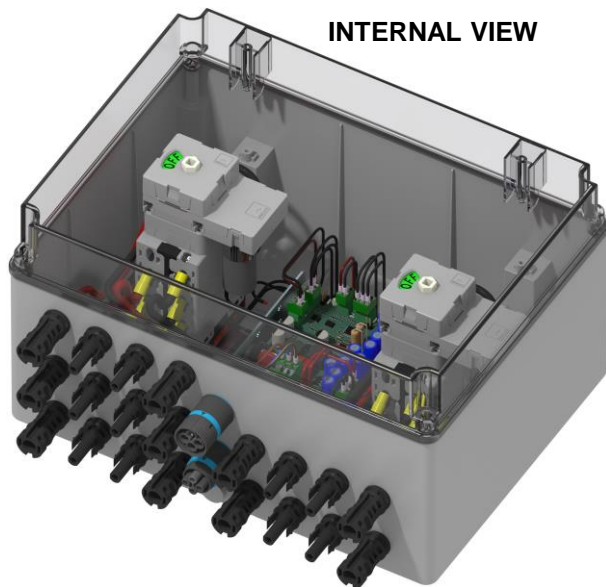
FB150305NUA2MC



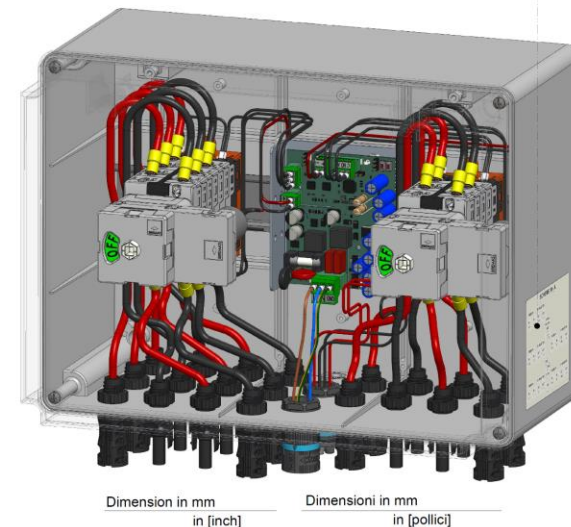
ELECTRICAL CONNECTION INDICATIONS LABEL



INTERNAL VIEW



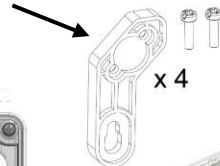
INTERNAL VIEW



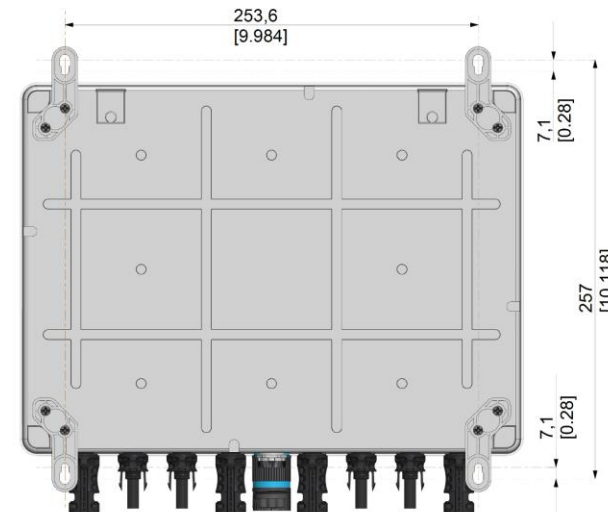
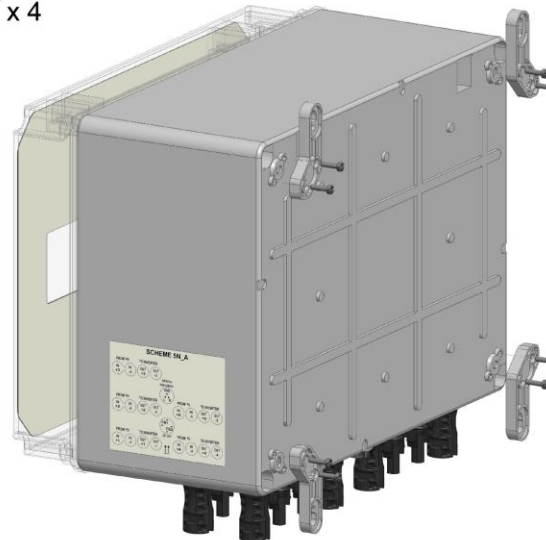
FB150305NUA2MC



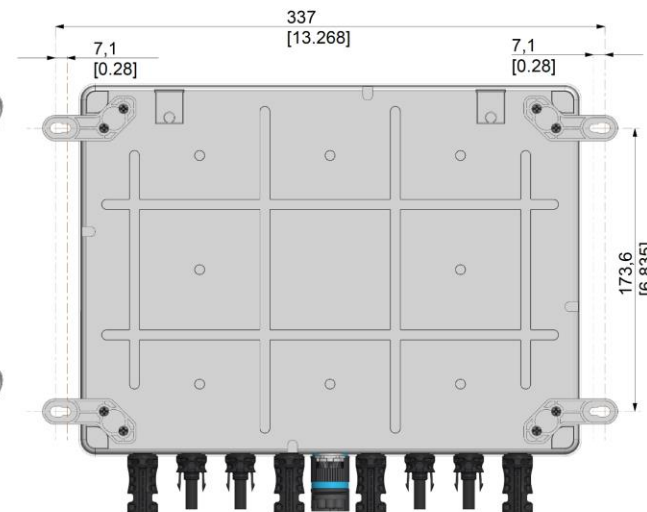
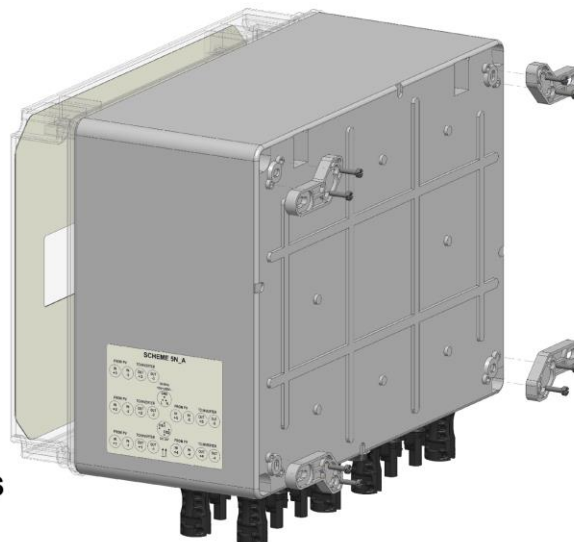
WALL MOUNTING BRACKETS



WALL FIXING HOLES FOR VERTICAL BRACKETS



WALL FIXING HOLES FOR HORIZONTAL BRACKETS



Dimension in mm in [inch] Dimensioni in mm in [pollici]

FB150305NUA2MC

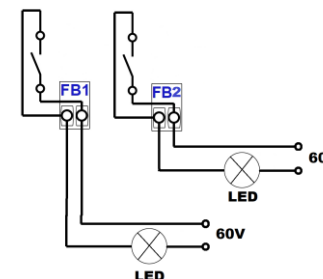
POWER CONNECTORS(DC)

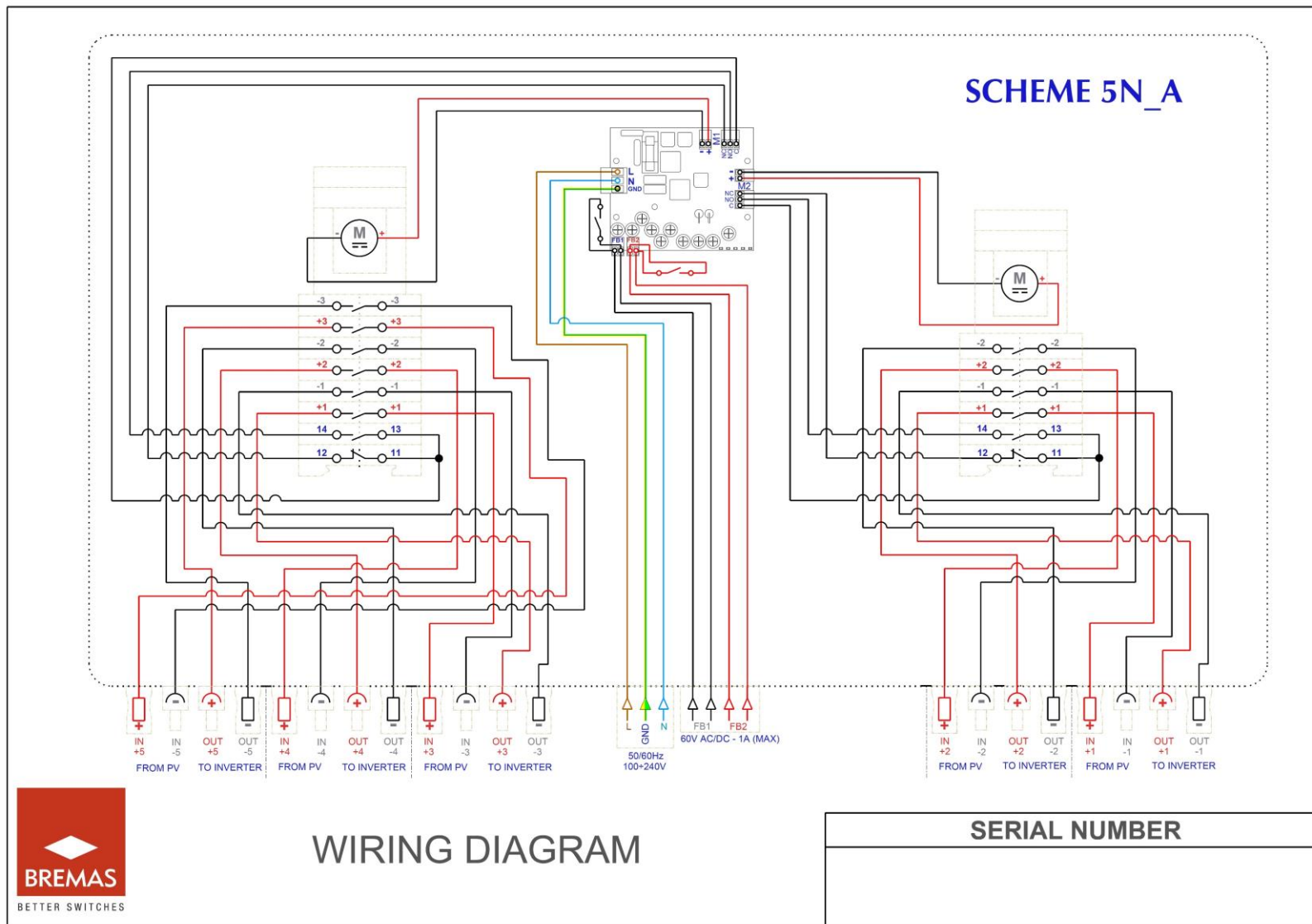
| Technical data according to IEC 60947-3 | | | | |
|---|------|--------|----------------------|-----|
| Rated insulation voltage | Ui | V | 1500 | |
| Rated impulse withstand voltage | Uimp | kV | 8 | |
| Rated thermal current | Ith | A | 50 | |
| DC inputs | | | | |
| Number of inputs | | | 1 | |
| Utilization category | | | PV1 | PV2 |
| Rated operational current at 1500 V | Ie | A | 20 | 8 |
| Rated operational current at 1300 V | Ie | A | 25 | 10 |
| Rated operational current at 1250 V | Ie | A | 30 | 12 |
| Rated operational current at 1000 V | Ie | A | 50 | 20 |
| Rated operational current at 800 V | Ie | A | - | 30 |
| Rated operational current at 700 V | Ie | A | - | 40 |
| Short circuit protection | | | | |
| Rated conditional short-circuit current | | kA | 5 | |
| Max fuse size for short circuit protection | gPV | A | 50 | |
| Rated short-time withstand current (1 s) | Icw | A | 780 | |
| Rated short-circuit making capacity | Icm | kA | 1,4 | |
| Terminals on the products | | | | |
| Panel MC4 plug-in connectors STAUBLI EVO2 | | Female | 32.0346P0001 | |
| Panel MC4 plug-in connectors STAUBLI EVO2 | | Male | 32.0347P0001 | |
| Terminals recommended for the installation | | | | |
| Coupler MC4 plug-in connectors STAUBLI EVO2 | | Female | 32.0318P0001 | |
| Coupler MC4 plug-in connectors STAUBLI EVO2 | | Male | 32.0319P0001 | |
| Protection degree IEC EN 61439-2 | | | | |
| Solution in box | | | IP56 | |
| Ambient conditions | | | | |
| Pollution degree | | | 2 | |
| Operational ambient temperature | | °C | -30 ÷ +50 | |
| Storage ambient temperature | | °C | -30 ÷ +85 | |
| Damp heat test IEC 60068-2-30 | | | 90-100% RH at +55 °C | |
| Protection Temperature | | | | |
| Temperature for automatic shutdown | | °C | +100 | |

AUXILIARY CONNECTORS

| L-N-GND Connector | | | |
|---|------------|---------------|---------------------|
| Rated operational voltage | Ui | VAC | 500 |
| Working frequency | | Hz | 50÷60 |
| Rated impulse withstand voltage | Uimp | kV | 4 |
| Rated operational current | Ie | A | 17,5 |
| Nominal operating voltage | Un | VAC | 100÷240 |
| Nominal power dissipation | Max | W | 10 |
| Nominal current | In | mA | 40 (at 230V) |
| Degree of protection | | | IP68 |
| Connection type | | | M3 screws |
| Tightening torque | Max | Nm | 0,8 |
| Cross-section of flexible/solid wires | Min-Max | mmq | 0,5 ... 4 |
| Cable diameter | Min-Max | mm | 7... 12 |
| Operational ambient temperature | | °C | -40 ÷ +125 |
| FB1-FB2 Connector | | | |
| Rated operational voltage | Ui | VAC/DC | 500 |
| Working frequency | | Hz | 50÷60 |
| Rated impulse withstand voltage | Uimp | kV | 4 |
| Rated operational current | Ie | A | 17,5 |
| Nominal operating voltage of contact | Max | VAC/DC | 60 |
| Nominal external power of contact | Max | W | 60 |
| Nominal current of contact | Max | A | 1 |
| Degree of protection | | | IP68 |
| Connection type | | | M3 screws |
| Tightening torque | Max | Nm | 0,8 |
| Cross-section of flexible/solid wires | Min-Max | mmq | 0,5 ... 4 |
| Cable diameter | Min-Max | mm | 7... 12 |
| Operational ambient temperature | | °C | -40 ÷ +125 |

FB1-FB2 EXAMPLE OF CONNETION:



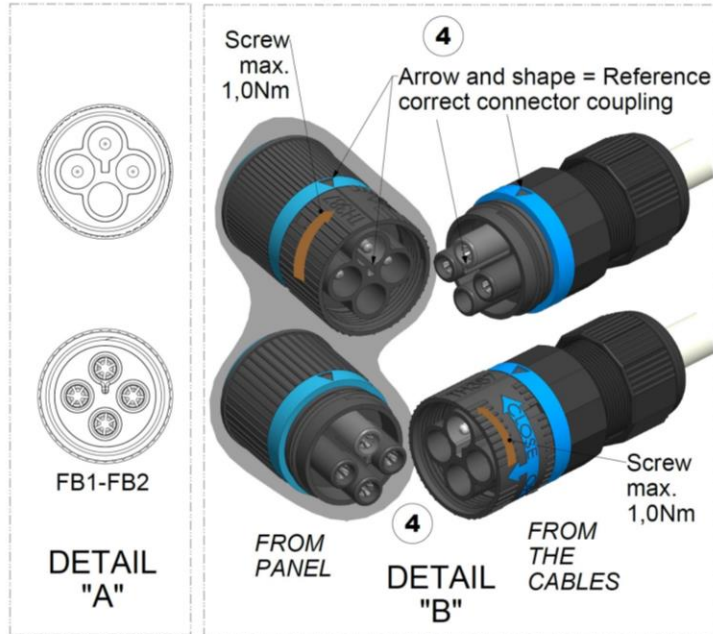
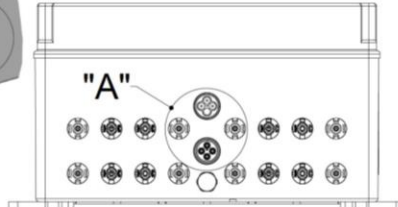


MINI-PLUG-SOCKET CONNECTOR IP66/IP68

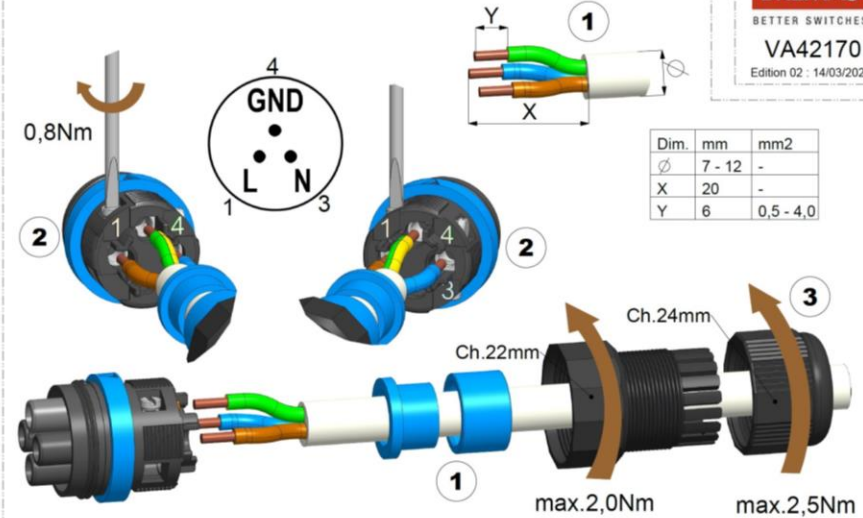
SOLAR GUARDIAN - Plug and play Bremas Series FB



- 1 Strip the wire and insert components on the cable
- 2 Wiring cables
- 3 Assemble connector
- 4 Pair panel connectors with cable connectors



INSTRUCTIONS FOR WIRING POWER CONNECTOR



INSTRUCTIONS FOR WIRING FB1 and FB2 SIGNAL CONNECTOR

