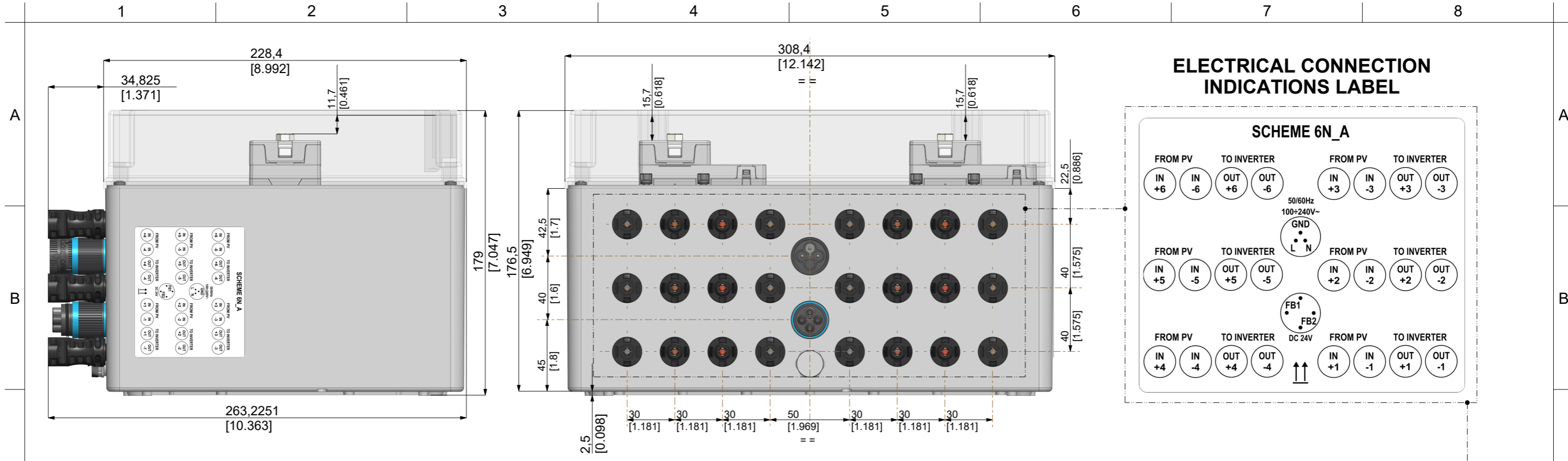
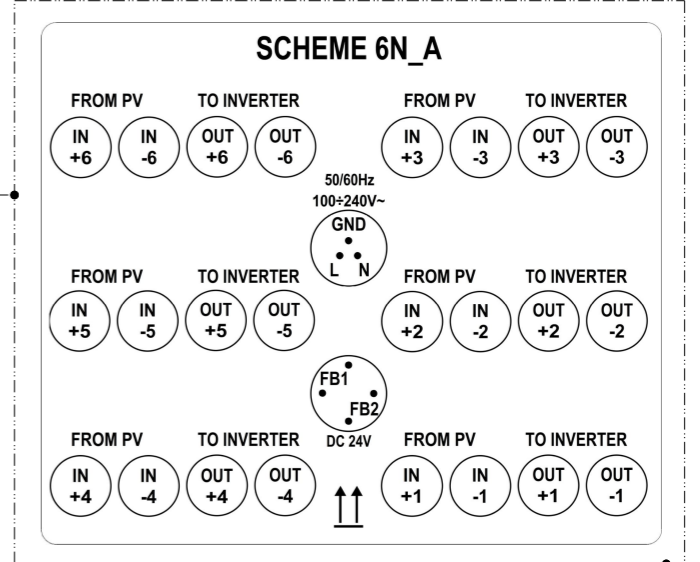


QUESTO DISEGNO NON PUO' ESSERE RIPRODOTTO NE MOSTRATO A TERZE PERSONE ART. 115-33 C.C.-293 C.P.

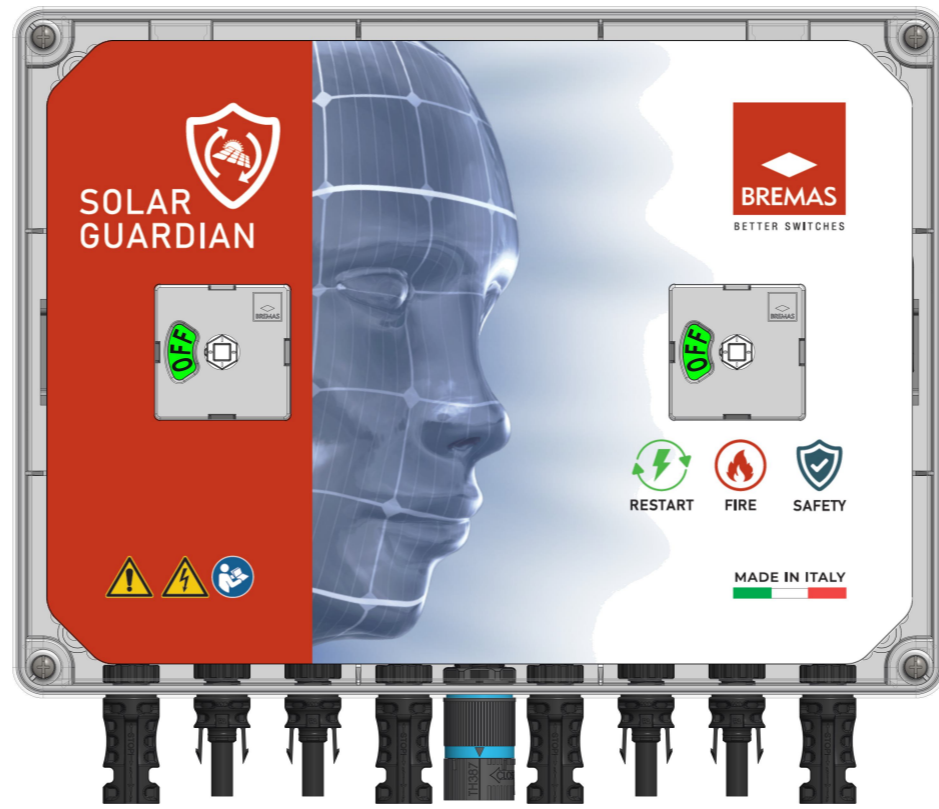
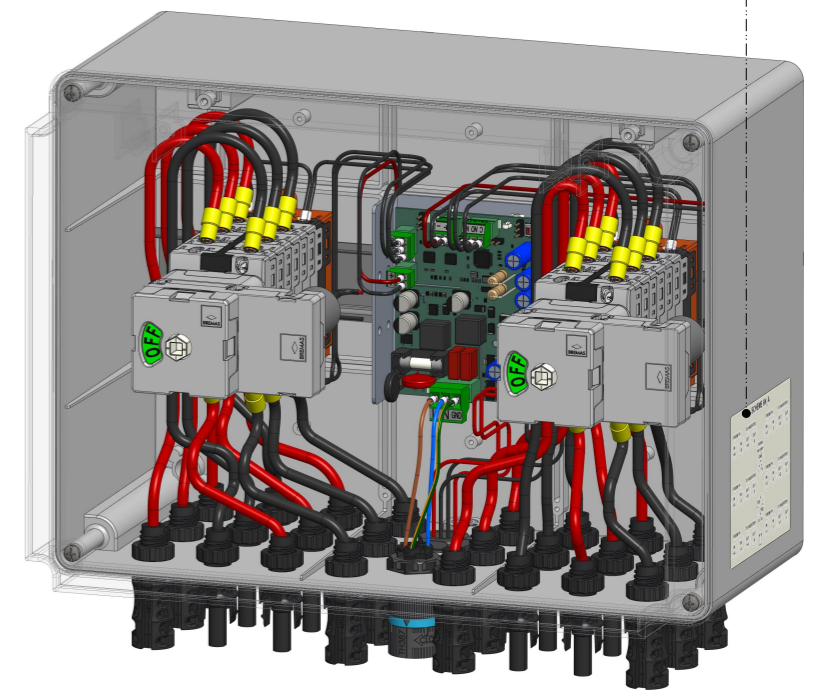
PROHIBITION OF DISTRIBUTION AND COPY. ART. 115-33 C.C.-293 C.P.



ELECTRICAL CONNECTION INDICATIONS LABEL



INTERNAL VIEW



Dimension in mm in [inch] Dimensioni in mm in [pollici]

EDIZ./REL.	MODIFICA / REVISION					DATA/DATE	SIGLA/SIGN
MATERIALE / MATERIAL: --			FINITURA / FINISHING: --				
	Dis/Dnw F. Civettini	Impiego Use	Scala Scale	Toll. Gen. Tol.	Sost./il/Rep.the		
	Contr/Ckd	FB	2:5	Lineare/Linear Js12	Sost.dal/Rep.of		
	Data/Date: Oct-21-24			Angoli/Angles: 30°	Direttorio/Directory		
OGGETTO/OBJECT: Switch box - 2 switches - 2 motors - 3+3 MPPT - internal DSC						DISEGNO / DRAWING FB150306NUA2MC	EDIZ./REL 1

QUESTO DISEGNO NON PUO' ESSERE RIPRODOTTO NE MOSTRATO A TERZE PERSONE. ART. 115-33 C.C.-293 C.P.

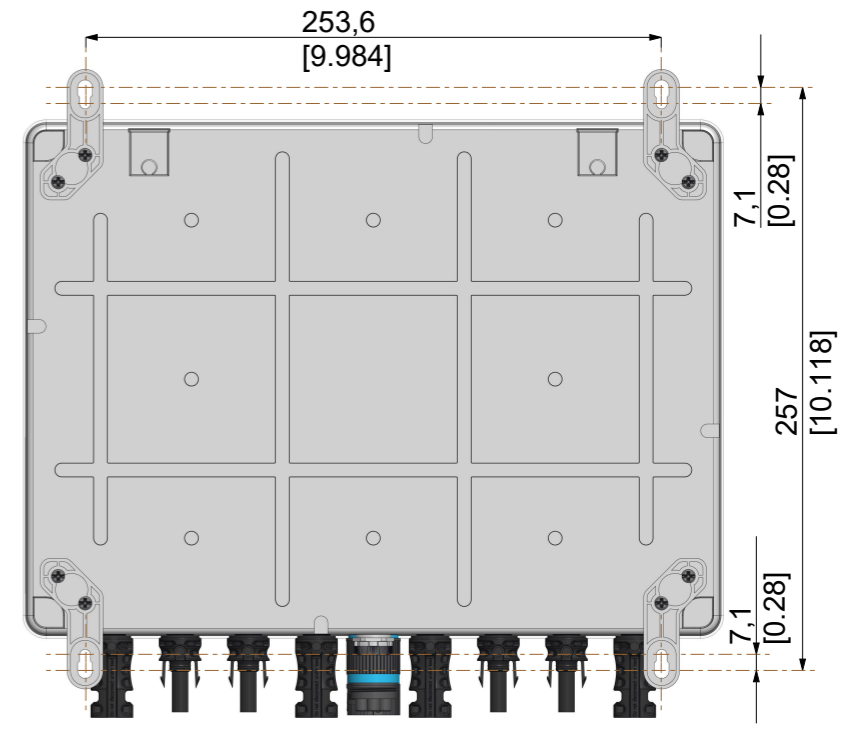
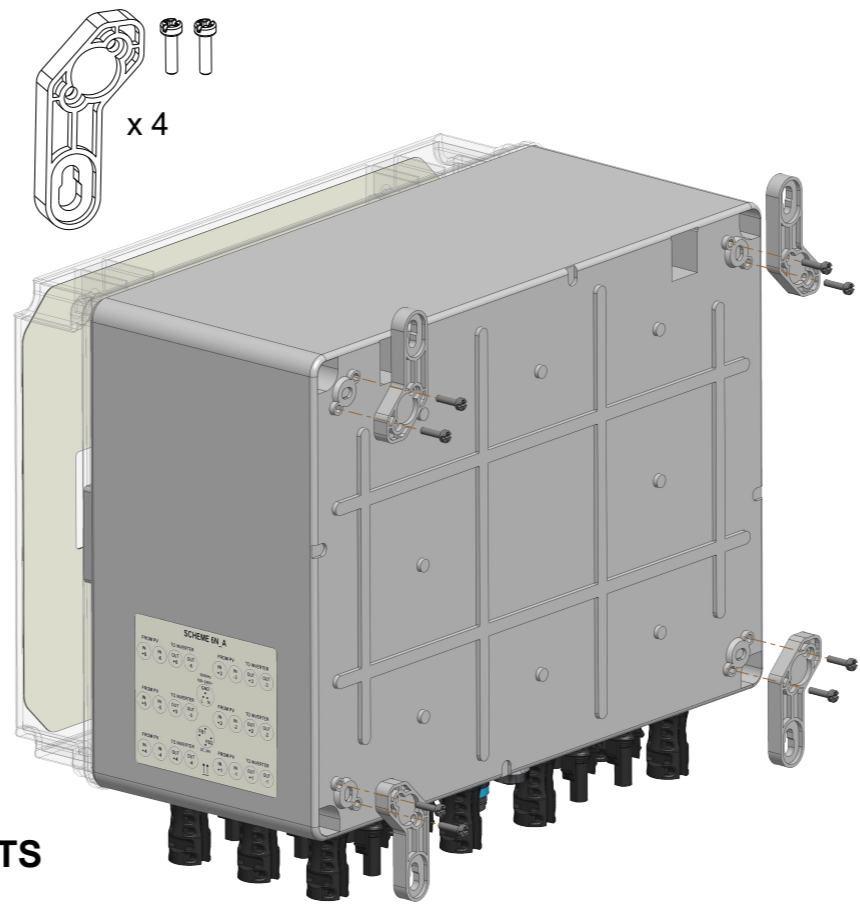
PROHIBITION OF DISTRIBUTION AND COPY. ART. 115-33 C.C.-293 C.P.

1 2 3 4 5 6 7 8

A
B
C



WALL FIXING HOLES FOR VERTICAL BRACKETS

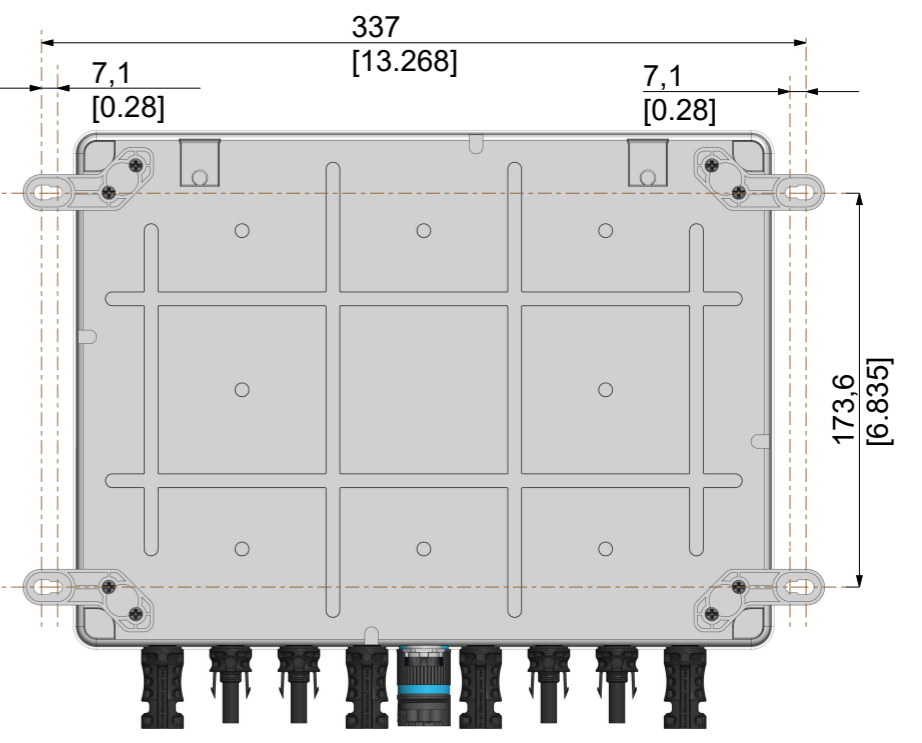
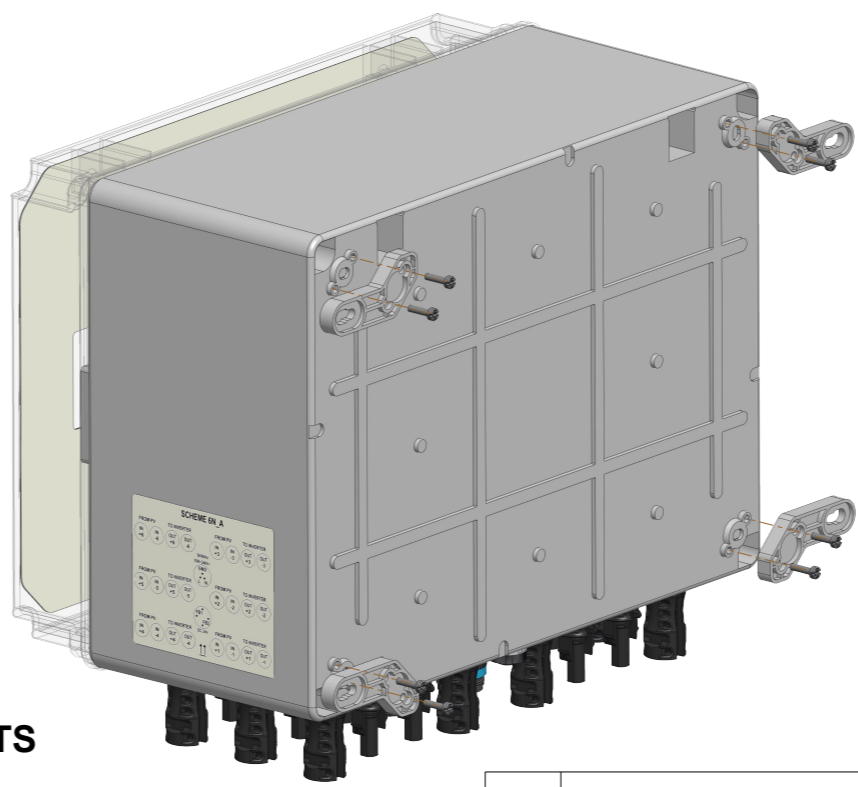


A
B
C

D
E




WALL FIXING HOLES FOR HORIZONTAL BRACKETS



Dimension in mm in [inch] Dimensioni in mm in [pollici]

D
E

F

EDIZ./REL.	MODIFICA / REVISION					DATA/DATE	SIGLA/SIGN
MATERIALE / MATERIAL: --			FINITURA / FINISHING: --				
		Dis/Dnw F.Civettini	Impiego Use	Scala Scale	Toll. Gen. Gen. Tol.	Sost./il/Rep.the	
		Contr/Ckd	FB	3:10	Lineare/Linear Js12	Sost.dal/Rep.of	
		Data/Date: Jan-20-25			Angoli/Angles: 30°	Direttorio/Directory	
OGGETTO/OBJECT: Switch box - 2 switches - 2 motors - 3+3 MPPT - internal DSC						DISEGNO / DRAWING FB150306NUA2MC	
						EDIZ./REL	1

F

1 2 3 4 5 6 7 8